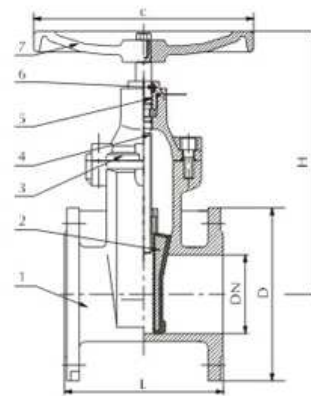


Non rising stem resilient soft seated gate valves DIN 3352-F4



Components

1	Body	Ductile iron
2	Disc	Ductile iron with NBR/EPDM/FPM
3	Bonnet	Ductile iron
4	Stem	Stainless steel
5	O-ring	NBR
6	Nut	Brass
7	Hand wheel	Ductile iron

Application

1	Face to face is according to DIN3202-F4
2	Flange drilled is according to DIN2532/2533/2501

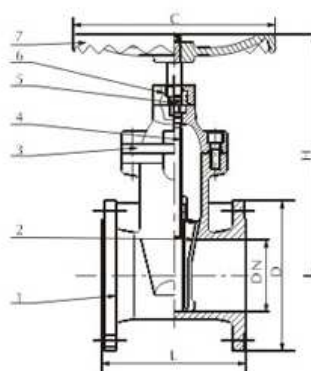
Test

Working pressure	PN10	PN16
Shell pressure	1.5MPa	2.4MPa
Seat pressure	1.1MPa	1.76MPa

Dimensions

	unit:mm												
DN	40	50	65	80	100	125	150	200	250	300	350	400	500
L	140	150	170	180	190	200	210	230	250	270	290	310	350
H	255	247	276	293	334	448	448	549	617	724	830	890	1000
D (PN10)	150	165	185	200	220	250	285	340	395	445	505	565	670
D (PN16)	150	165	185	200	220	250	285	340	405	460	520	580	715
C	160	180	180	200	250	280	280	340	340	400	450	450	600

Non rising stem resilient soft seated gate valves DIN 3352-F4



Components

1	Body	Ductile iron
2	Disc	Ductile iron with NBR/EPDM/FPM
3	Bonnet	Ductile iron
4	Stem	Stainless steel
5	O-ring	NBR
6	Gland	Ductile iron
7	Hand wheel	Ductile iron

Application

1	Face to face is according to DIN3202-F4
2	Flange drilled is according to DIN2532/2533/2501

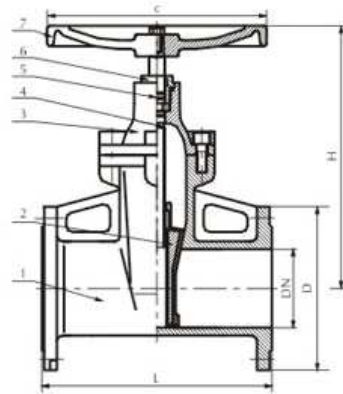
Test

Working pressure	PN10	PN16
Shell pressure	1.5MPa	2.4MPa
Seat pressure	1.1MPa	1.76MPa

Dimensions

	unit:mm												
DN	40	50	65	80	100	125	150	200	250	300	350	400	500
L	140	150	170	180	190	200	210	230	250	270	290	310	350
H	255	247	276	293	334	448	448	549	617	724	830	890	1000
D (PN10)	150	165	185	200	220	250	285	340	395	445	505	565	670
D (PN16)	150	165	185	200	220	250	285	340	405	460	520	580	715
C	160	180	180	200	250	280	280	340	340	400	450	450	600

Non rising stem resilient soft seated gate valves DIN 3352-F5



Components

1	Body	Ductile iron
2	Disc	Ductile iron with NBR/EPDM/FPM
3	Bonnet	Ductile iron
4	Stem	Stainless steel
5	O-ring	NBR
6	Nut	Brass
7	Hand wheel	Ductile iron

Application

1	Face to face is according to DIN3202-F5
2	Flange drilled is according to DIN2532/2533/2501

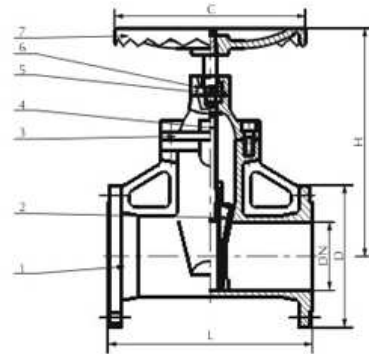
Test

Working pressure	PN10	PN16
Shell pressure	1.5MPa	2.4MPa
Seat pressure	1.1MPa	1.76MPa

Dimensions

	unit:mm											
DN	40	50	65	80	100	125	150	200	250	300	350	500
L	240	250	270	280	300	325	350	400	450	500	550	700
H	255	255	284	301	341	454	454	522	624	714	830	1000
D (PN10)	150	165	185	200	220	250	285	340	395	445	505	670
D (PN16)	150	165	185	200	220	250	285	340	405	460	520	715
C	160	180	180	200	250	280	280	340	340	400	450	600

Non rising stem resilient soft seated gate valves DIN 3352-F5



Components

1	Body	Ductile iron
2	Disc	Ductile iron with NBR/EPDM/FPM
3	Bonnet	Ductile iron
4	Stem	Stainless steel
5	O-ring	NBR
6	Gland	Ductile iron
7	Hand wheel	Ductile iron

Application

1	Face to face is according to DIN3202-F5
2	Flange drilled is according to DIN2532/2533/2501

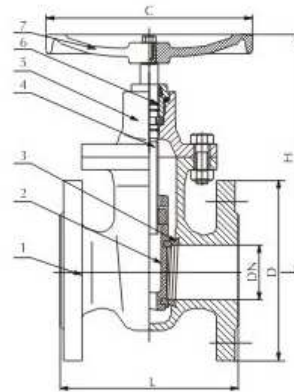
Test

Working pressure	PN10	PN16
Shell pressure	1.5MPa	2.4MPa
Seat pressure	1.1MPa	1.76MPa

Dimensions

	unit:mm											
DN	40	50	65	80	100	125	150	200	250	300	350	500
L	240	250	270	280	300	325	350	400	450	500	550	700
H	255	255	284	301	341	454	454	522	624	714	830	1000
D (PN10)	150	165	185	200	220	250	285	340	395	445	505	670
D (PN16)	150	165	185	200	220	250	285	340	405	460	520	715
C	160	180	180	200	250	280	280	340	340	400	450	600

Non-rising stem gate valves DIN 3352-F4 "A" type



Components

1	Body	Cast iron or ductile iron
2	Disc	Cast iron or Ductile iron
3	Seat	Brass/Bronze
4	Stem	Stainless steel
5	Bonnet	Cast iron or Ductile iron
6	O-ring	NBR
7	Hand wheel	Cast iron or Ductile iron

Application

1	Face to face is according to DIN3202-F4
2	Flange drilled is according to DIN2532/2533/2501
3	Nominal pressure PN10/PN16

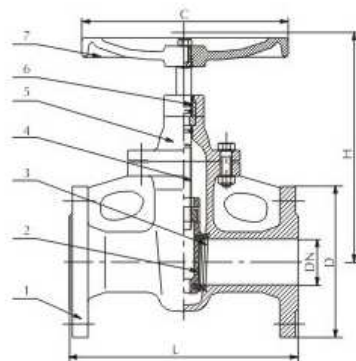
Test

Working pressure	PN10	PN16
Shell pressure	1.5MPa	2.4MPa
Seat pressure	1.1MPa	1.76MPa

Dimensions

	unit:mm									
DN	40	50	65	80	100	125	150	200	250	300
L	140	150	170	180	190	200	210	230	250	270
H	276	296	330	343	372	463	480	603	729	774
C	160	180	180	200	250	280	280	340	340	400
D (PN10)	150	165	185	200	220	250	285	340	395	445
D (PN16)	150	165	185	200	220	250	285	340	405	460

Non-rising stem gate valves DIN 3352-F5



Components

1	Body	Cast iron or ductile iron
2	Disc	Cast iron or Ductile iron
3	Seat	Brass/Bronze
4	Stem	Stainless steel
5	Bonnet	Cast iron or Ductile iron
6	Hand wheel	Cast iron or Ductile iron

Application

1	Face to face is according to DIN3202-F5
2	Flange drilled is according to DIN2532/2533/2501
3	Nominal pressure PN10/PN16

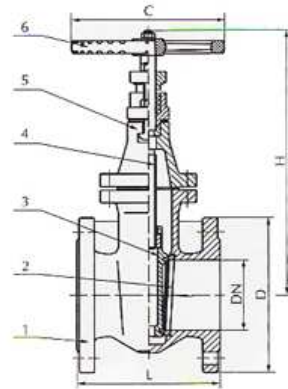
Test

Working pressure	PN10	PN16
Shell pressure	1.5MPa	2.4MPa
Seat pressure	1.1MPa	1.76MPa

Dimensions

	unit:mm									
DN	40	50	65	80	100	125	150	200	250	300
L	240	250	270	280	300	325	350	400	450	500
H	276	296	330	343	372	463	480	603	729	774
C	160	180	180	200	250	280	280	340	340	400
D (PN10)	150	165	185	200	220	250	285	340	395	445
D (PN16)	150	165	185	200	220	250	285	340	405	460

Non-rising stem gate valves DIN 3352-F4 "B" type



Components

1	Body	Cast iron or ductile iron
2	Disc	Cast iron or ductile iron
3	Seat	Brass/Bronze
4	Stem	Stainless steel
5	Bonnet	Cast iron or Ductile iron
6	Hand wheel	Cast iron or Ductile iron

Application

1	Face to face is according to DIN3202-F4
2	Flange drilled is according to DIN2532/2533/2501
3	Nominal pressure PN10/PN16

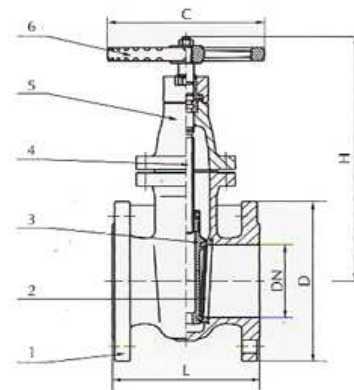
Test

Working pressure	PN10	PN16
Shell pressure	1.5MPa	2.4MPa
Seat pressure	1.1MPa	1.76MPa

Dimensions

	40	50	65	80	100	125	150	200	250	300	unit:mm
DN	40	50	65	80	100	125	150	200	250	300	
L	140	150	170	180	190	200	210	230	250	270	
H	276	296	330	343	372	463	480	603	729	774	
C	160	180	180	200	250	280	280	340	340	400	
D (PN10)	150	165	185	200	220	250	285	340	395	445	
D (PN16)	150	165	185	200	220	250	285	340	405	460	

Non-rising stem gate valves DIN 3352-F4 "O" type



Components

1	Body	Cast iron or ductile iron
2	Seat	Brass/Bronze
3	Disc	Cast iron or ductile iron
4	Stem	Stainless steel
5	Bonnet	Cast iron or Ductile iron
6	Hand wheel	Cast iron or Ductile iron

Application

1	Face to face is according to DIN3202-F4
2	Flange drilled is according to DIN2532/2533/2501
3	Nominal pressure PN10/PN16

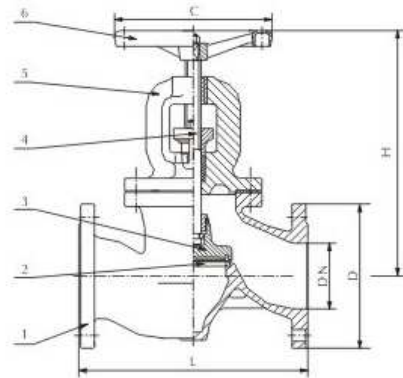
Test

Working pressure	PN10	PN16
Shell pressure	1.5MPa	2.4MPa
Seat pressure	1.1MPa	1.76MPa

Dimensions

	40	50	65	80	100	125	150	200	250	300	unit:mm
DN	40	50	65	80	100	125	150	200	250	300	
L	140	150	170	180	190	200	210	230	250	270	
H	212	236	262	292	336	400	438	552	668	714	
C	160	180	180	200	250	280	280	340	340	400	
D (PN10)	150	165	185	200	220	250	285	340	395	445	
D (PN16)	150	165	185	200	220	250	285	340	405	460	

Globe valves DIN 3202-F1



Components

1	Body	Cast iron or Ductile iron
2	Seat	Brass/Bronze
3	Disc	Cast iron or Ductile iron
4	Stem	stainless steel
5	Bonnet	Cast iron or Ductile iron
6	Hand wheel	Cast iron or Ductile iron

Application

1	Face to face is according to DIN3202-F1
2	Flange drilled is according to DIN2532/2533
3	Normal Pressure PN10/PN16

Test

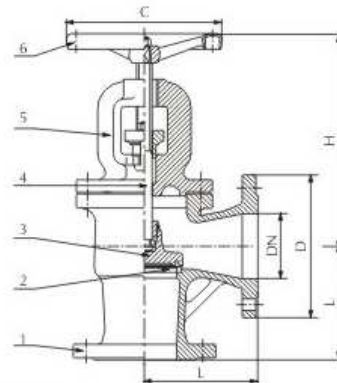
Working pressure	PN10	PN16
Shell pressure	1.5MPa	2.4MPa
Seat pressure	1.1MPa	1.76MPa

Dimensions

	15	20	25	32	40	50	65	80	100	125	150	200	250	300
DN	15	20	25	32	40	50	65	80	100	125	150	200	250	300
L	130	150	160	180	200	230	290	310	350	400	480	600	730	850
H	165	180	195	205	235	250	285	335	370	435	475	555	650	695
C	100	100	120	120	160	200	200	240	240	280	280	400	520	520
D(PN10)	95	105	115	140	150	165	185	200	220	250	285	340	395	445
D(PN16)	95	105	115	140	150	165	185	200	220	250	285	340	405	460

unit:mm

Angle valve DIN3202-F32



Components

1	Body	Cast iron or Ductile iron
2	Seat	Brass/Bronze
3	Disc	Cast iron or Ductile iron
4	Stem	stainless steel
5	Bonnet	Cast iron or Ductile iron
6	Hand wheel	Cast iron or Ductile iron

Application

1	Face to face is according to DIN3202-F32
2	Flange drilled is according to DIN2532/2533
3	Normal Pressure PN10/PN16

Test

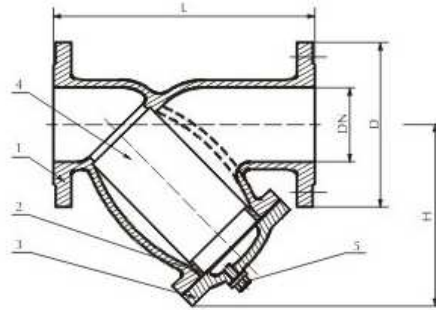
Working pressure	PN10	PN16
Shell pressure	1.5MPa	2.4MPa
Seat pressure	1.1MPa	1.76MPa

Dimensions

	15	20	25	32	40	50	65	80	100	125	150	200	250	300
DN	15	20	25	32	40	50	65	80	100	125	150	200	250	300
L	90	95	100	105	115	125	145	155	175	200	225	275	325	375
H	165	180	195	205	235	250	285	335	370	435	475	555	650	695
C	100	100	120	120	160	200	200	240	240	280	280	400	520	520
D(PN10)	95	105	115	140	150	165	185	200	220	250	285	340	395	445
D(PN16)	95	105	115	140	150	165	185	200	220	250	285	340	405	460

unit:mm

Y Strainer DIN 3202-F1



Components

1	Body	Cast iron or Ductile iron
2	Plug	Cast iron or Ductile iron
3	Cover	Cast iron or Ductile iron
4	Screen	stainless steel
5	Bolt	Carbon steel

Application

1	Face to face is according to DIN3202-F1
2	Flange drilled is according to DIN2531/2532/2533

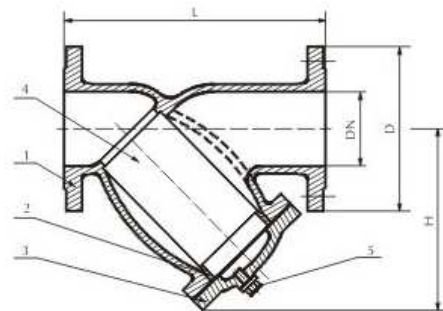
Test

Working pressure	PN10	PN16
Shell pressure	1.5MPa	2.4MPa
Seat pressure	1.1MPa	1.76MPa

Dimensions

DN	40	50	65	80	100	125	150	200	250	300	unit:mm
L	200	230	290	310	350	400	480	600	730	850	
H	105	125	150	175	195	235	275	350	420	490	
D (PN10)	150	165	185	200	220	250	285	340	395	445	
D (PN16)	150	165	185	200	220	250	285	340	405	460	

Y Strainer BS 4504



Components

1	Body	Cast iron or Ductile iron
2	Plug	Cast iron or Ductile iron
3	Cover	Cast iron or Ductile iron
4	Screen	Stainless steel
5	Blot	Carbon steel

Application

1	Face to face is according to BS2080
2	Flange drilled is according to BS4504

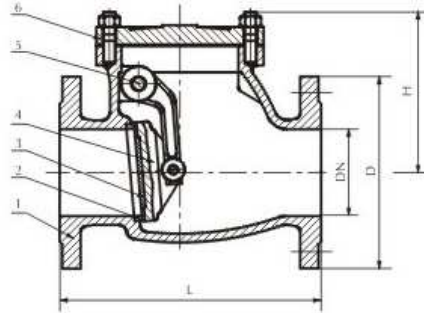
Test

Working pressure	PN10	PN16
Shell pressure	1.5MPa	2.4MPa
Seat pressure	1.1MPa	1.76MPa

Dimensions

DN	50	65	80	100	125	150	200	250	300	unit:mm
L	220	270	290	350	390	440	540	660	720	
H	120	140	170	220	260	300	360	440	525	
D	165	185	200	220	250	285	340	405	460	

Check valves swing type DIN 3202-F6



Components

1	Body	Cast iron or ductile iron
2	Seat	Brass/Bronze
3	Disc Seal Ring	Rubber/Brass
4	Disc	Cast iron or iron
5	Ingo pin	stainless steel
6	Bonnet	Cast iron or ductile iron

Application

1	Face to face is according to DIN3202-F6
2	Flange drilled is according to DIN2531/2532/2533
3	Nominal Pressure PN6/PN10/PN16

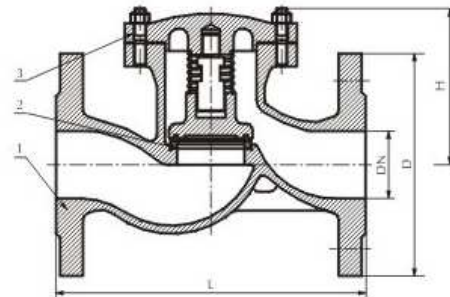
Test

Working pressure	PN10	PN16
Shell pressure	1.5MPa	2.4MPa
Seat pressure	1.1MPa	1.76MPa

Dimensions

DN	40	50	65	80	100	125	150	200	250	300	unit:mm
L	180	200	240	260	300	350	400	500	600	700	
H	120	125	130	160	185	195	205	285	320	340	
D (PN10)	150	165	185	200	220	250	285	340	395	445	
D (PN16)	150	165	185	200	220	250	285	340	405	460	

Check valve lift type DIN 3202-F1



Components

1	Body	Cast iron or Ductile iron
2	Disc	Cast iron or Ductile iron
3	Bonnet	Cast iron or Ductile iron

Application

1	Face to face is according to DIN3202-F1
2	Flange drilled is according to DIN2532/2533
3	Nominal Pressure PN10/16

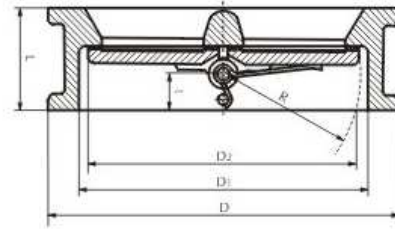
Test

Working pressure	PN10	PN16
Shell pressure	1.5MPa	2.4MPa
Seat pressure	1.1MPa	1.76MPa

Dimensions

DN	40	50	65	80	100	125	150	200	250	300	unit:mm
L	200	230	290	310	350	400	480	600	730	850	
H	95	100	115	135	145	160	180	270	320	350	
D (PN10)	150	165	185	200	220	250	285	340	395	445	
D (PN16)	150	165	185	200	220	250	285	340	405	460	

Check valve wafer type



Components

Body	Cast iron or Ductile iron
Disc	Ductile iron with zinc plated or Al-bronze/stainless steel
Stem	Stainless steel
Spring	Stainless steel
Rubber gasket	NBR/EPDM

Application

Face to face is according to ISO Standard
Flange drilled is according to DIN/BS/JIS/ANSI

Test

Working pressure	PN10/PN16	CLASS125/150
Shell pressure	PN15/PN24	300PSI
Seat pressure	PN11/PN17.6	200PSI

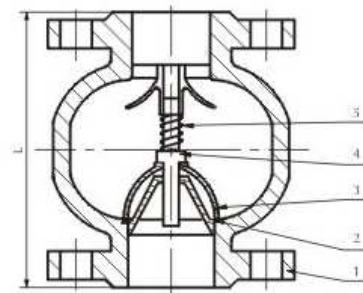
Dimensions

Size(DN)	50	65	80	100	125	200	250	300	350	400	450	500	600	700	800
L	43	46	64	64	70	76	89	114	114	127	140	152	152	178	229
D1	65	80	94	117	145	170	224	265	310	360	410	450	505	624	720
D2	43	60	66	91	117	145	198	234	284	333	381	420	468	573	680
t	19	20	23	27	30	31	33	40	43	45	52	58	58	73	98
R	29	36	43	53	66	79	104	127	148	172	197	218	241	295	354

Remark: The design of dimension "D" can be suitable for all standard (BS, DIN, ANSI, JIS standard etc.)

unit:mm

Check valve silent type



Components

1	Body	Cast iron or Ductile iron
2	Disc ring	NBR
3	Disc	Cast iron or Ductile iron
4	Stem	stainless steel
5	Spring	stainless steel

Application

1	Face to face is according to ISO standard
2	Flange drilled is according to ANSI\BS\ DIN\JIS

Test

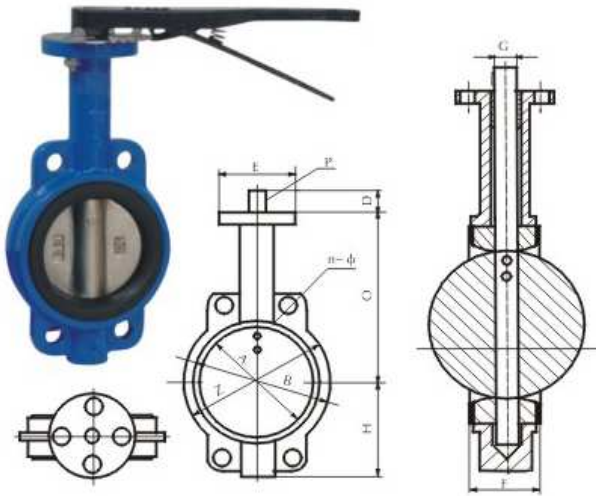
Working pressure	PN10/PN16	125PSI/150PSI
Shell pressure	PN15/PN24	200PSI
Seat pressure	PN11/PN17.6	300PSI

Dimensions

DN	50	65	80	100	125	150	200	250	300
L	120	120	140	170	200	220	288	344	385

unit:mm

Butterfly valve wafer type



Components

1	Body	Cast iron / Ductile iron
2	Disc	Ductile iron with nickel plated, Bronze, Stainless steel SS304 and SS316 etc.
3	Stem	Stainless steel
4	Seat	NBR, EPDM, VITON, PTFE etc.
5	O ring	NBR

Application

1	The design can be suitable for BS/DIN/ANSI/JIS/UNI standard etc.
2	For water, neutral liquids, oil and Air etc.
3	Coating epoxy painting, 150 um.

Test

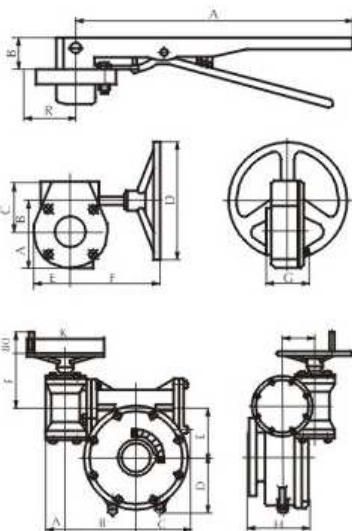
Working Pressure		PN6/PN10/PN16/125Psi/150Psi
Test pressure	Shell	1.5 x Working pressure
	Seat	1.1 x Working pressure

Dimension

Unit: mm

DN	A	B	C	D	E	F	G	H	Z	P	4-φ
50	53	This dimension can be acc to BS5155, ANSI CL125, ANSI CL150, DIN PN6, DIN PN10, DIN PN16, JIS, UNI Standard ect.	145	32	77	42	12.7	80	100	3	This dimension can be acc to BS5155, ANSI CL125, ANSI CL150, DIN PN6, DIN PN10, DIN PN16, JIS, UNI Standard ect.
65	65		160	32	77	45	12.7	89	120	3	
80	78.9		165	32	77	45	12.7	95	127	3	
100	104.5		185	32	92	52	15.9	114	156	5	
125	123.5		200	32	92	54	19.0	127	190	5	
150	156		210	32	92	56	19.0	139	212	5	
200	203		245	45	115	60	22.3	175	268	5	
250	251		285	45	115	66	28.6	203	325	8	
300	301.8		325	45	140	77	31.8	242	403	8	
350	333.3		368	45	140	77	31.8	267	436	8	
400	389.6		400	51.2	197	87	33.2	309	488	8	
450	440.51		422	51.2	197	106	38	328	540	9.5	
500	491.6		480	64.2	197	132	41.2	361	595	9.5	
600	592.5		562	70.2	276	152	50.7	459	695	13	
700	695		624	66	300	163	55	520			
800	794.7		672	66	300	188	55	591			
900	864.7	720	118	300	203	75	656				
1000	965	800	142	300	216	85	721				

Overall dimensions & weight of manual actuator



Size mm (in.)	A	B	R	Weight (Kg)
50(2)-100(4)	266.7	32	52	0.80
125(5)-150(6)	313	32	52	1
200(8)-250(10)	359	45	75.2	2.0
300(12)	490	45	75.2	3.0

Overall dimensions & weight of worm gear actuator

Model	Size mm (in.)	A	B	C	E	F	G	D	Weight(Kg)
3DB-15	50(2)-150(6)	52	45	74	52	152.5	75	150	4.8
3DB-50	200(8)-250(10)	75	62.75	101	75	250	86	300	11.7
3DB-120	300(12)-350(14)	81	80	118	81	227	83	300	14

Overall dimensions & weight of double-stage worm gear actuator

Model	Size mm (in.)	A	B	C	D	E	F	H	L	K	Weight(Kg)
3D-30/250	400(16)-450(18)	42	160	125	130	90	200	105	60	300	40
3D-30/300	500(20)	42	185	160	150	110	200	120	60	380	55
3D-30/400	600(24)	42	185	160	170	125	225	120	60	380	60
3D-60/800	700(28)-800(32)	50	228	185	190	155	155	125	78	380	90
3D-120/1500	900(36)-1000(40)	65	266	200	230	192	192	200	120	450	160