

DIN Gate valve

Product structural features

Gate valve seal acc. to DIN is applicable to the cutting and connection of pipelines medium that are used in various industries such as petroleum, chemical industry, pharmacy, chemical fertilizer, electric power industry, etc under nominal pressure of PN1.6~16MPa and working temperature within -110~600°C

Main structural features

1. This product has logical structure, reliable seal, excellent performance and nice design.
2. The seal surface is build-up welding with Co hard alloy, which is attrition-resistant, corrosion-resistant, has good friction resistant and long life.
3. The stem quenched and tempered, and its surface is treated by nit riding treatment, thus it has good corrosion resistant and friction resistant.
4. It has double seal capability, which is more reliable.
5. The part material, flange and butt weld end dimension may be selected according to current operating condition and users' requirement, so that meeting the requirements of various engineering.

Technical specification

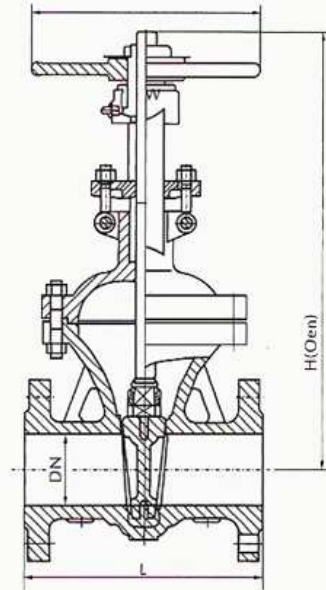
Structural Formation	BB-BG-OS & Y
Driving Manner	Hand-Operated
Driving Manner	Electric-Actuated
Design Standard	DIN3352
Face to Face	DIN3202
Flange Ends	DIN2543-2547
Test & Inspection	DIN3230

Notes: The size of serial, valve connecting flange can be design according to customers' requirement.

Products performance specification

Nominal Pressure (MPa)	Shell Test (MPa)	Sealing Test (MPa)	Suitable Temp(°C)	Suitable Medium
1.6	2.4	1.76	-110~600°C	Water Oil & Gas
2.5	3.75	2.75		
4.0	6.0	4.4		
6.4	9.6	7.04		

DIN Gate valve



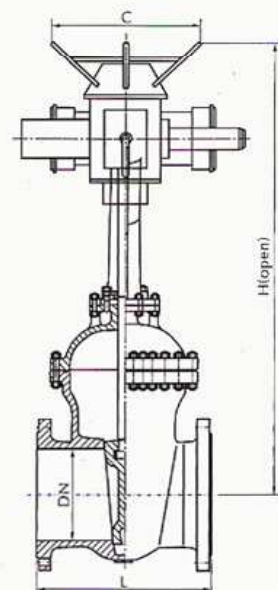
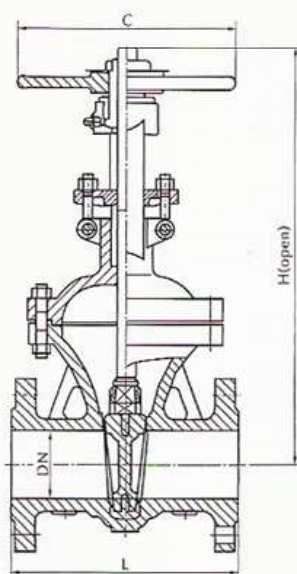
Main part material and property

Body	GS-C25								1.4308		
Disc	GS-C25			1.4308		1.4408		Monel	1.4308		
Stem	13Cr			1.4308		1.4408		Monel	F304		
Wedge Disc Sealing Face	13Cr	13Cr	STL	1.4308	STL	1.4408	STL	Monel	1.4308	1.4308	STL
Seat Ring Sealing Face	13Cr	STL	STL	1.4308	STL	1.4408	STL	Monel	1.4308	STL	STL

Body	1.4408			1.4306			1.4301		
Disc	1.4408			1.4306			1.4301		
Stem	1.4408			1.4306			1.4301		
Wedge Disc Sealing Face	1.4408	1.4408	STL	1.4306	1.4306	STL	1.4301	1.4301	STL
Seat Ring Sealing Face	1.4408	STL	STL	1.4306	STL	STL	1.4301	STL	STL

Rising stem gate valves DIN F5 series

PN1.6MPa~2.5MPa

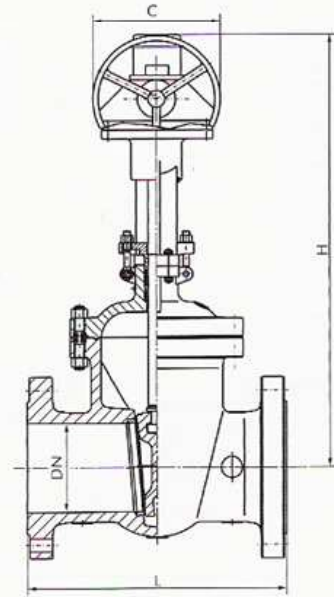
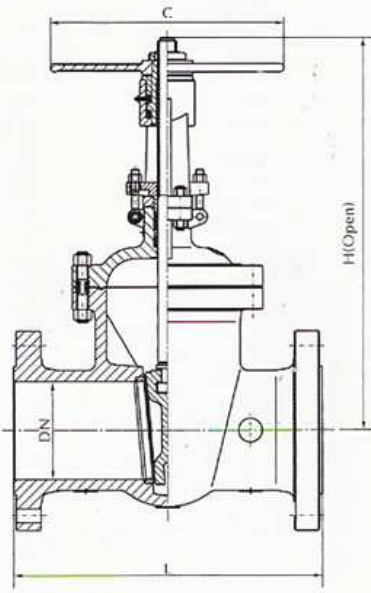


Pressure (MPa)		PN1.6MPa													
Size	mm	50	65	80	100	125	150	200	250	300	350	400	450	500	600
L		250	270	280	300	325	350	400	450	500	550	600	650	700	800
H		417	452	530	607	720	790	885	1014	1190	1350	1460	1630	1800	2200
C		200	280	280	300	350	350	400	450	500	600	600	650	700	800
Weight(kg)		16	25	30	55	75	98	150	245	353	490	750	985	1063	1390

Pressure (MPa)		PN2.5MPa													
Size	mm	50	65	80	100	125	150	200	250	300	350	400	450	500	600
L		250	270	280	300	325	350	400	450	500	550	600	650	700	800
H		417	452	530	607	720	790	885	1014	1190	1350	1460	1630	1800	2200
C		200	280	280	300	350	350	400	450	500	600	600	650	700	800
Weight(kg)		16	31	43	58	82	103	180	265	385	547	835	1050	1130	1500

Rising stem gate valves DIN F7 series

PN4.0MPa~6.4MPa

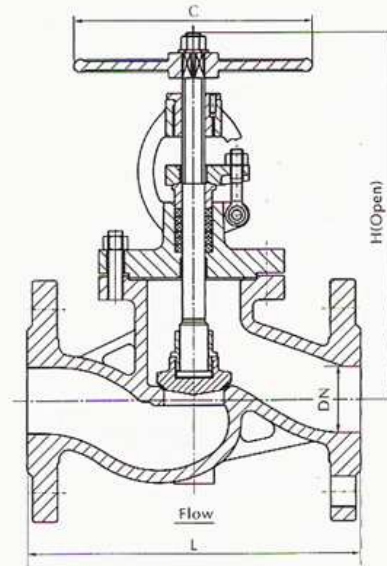


Pressure (MPa)		PN4.0MPa													
Size	mm	50	65	80	100	125	150	200	250	300	350	400	450	500	600
L		250	290	310	350	400	450	550	650	750	850	950	1050	1150	1350
H		404	456	604	607	720	780	875	1260	1480	1605	1788	1956	2168	2601
C		200	280	300	350	350	400	450	500	500	600	650	700	700	800
Weight(kg)		18	32	47	60	95	130	220	290	490	760	900	1250	1450	1700

Pressure (MPa)		PN6.4MPa													
Size	mm	50	65	80	100	125	150	200	250	300	350	400	450	500	600
L		250	290	310	350	400	450	550	650	750	850	950	1050	1150	1350
H		404	456	604	607	720	780	875	1260	1480	1605	1788	1956	2168	2601
C		200	280	300	350	350	400	450	500	500	600	650	700	700	800
Weight(kg)		20	35	52	66	103	140	230	300	510	780	940	1300	1600	1850

DIN Globe valve

PN1.6MPa~16MPa



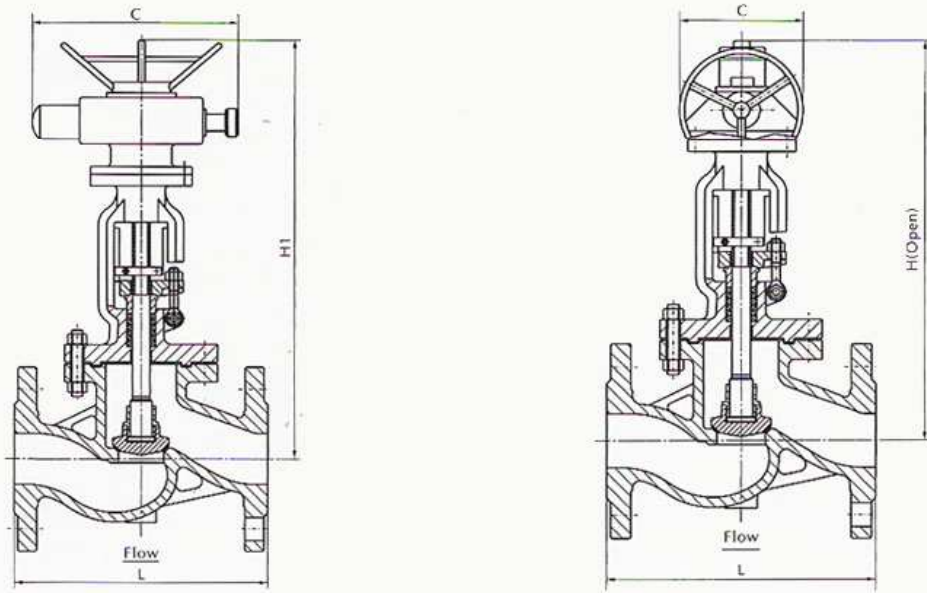
Main parts material and property

Body	GS-C25								1.4308		
Disc	GS-C25			1.4308		1.4408		Monel		1.4308	
Stem	13Cr			1.4308		1.4408		Monel		F304	
Disc Sealing Face	13Cr	13Cr	STL	1.4308	STL	1.4408	STL	Monel	1.4308	1.4308	STL
Seat Ring Sealing Face	13Cr	STL	STL	1.4308	STL	1.4408	STL	Monel	1.4308	STL	STL

Body	1.4408						1.4306			1.4301		
Disc	1.4408						1.4306			1.4301		
Stem	1.4408						1.4306			1.4301		
Wedge Disc Sealing Face	1.4408	1.4408	STL	1.4306	1.4306	STL	1.4301	1.4301	STL	STL	STL	
Seat Ring Sealing Face	1.4408	STL	STL	1.4306	STL	STL	1.4301	STL	STL	STL	STL	

DIN Globe valve

PN1.6MPa~4.0MPa



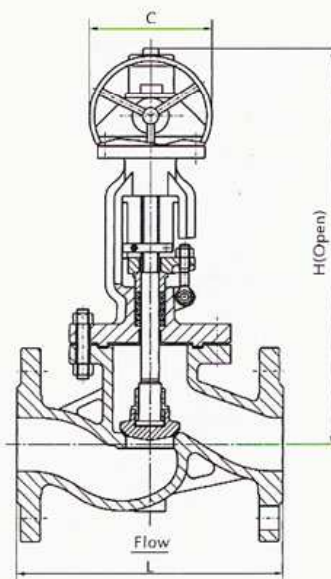
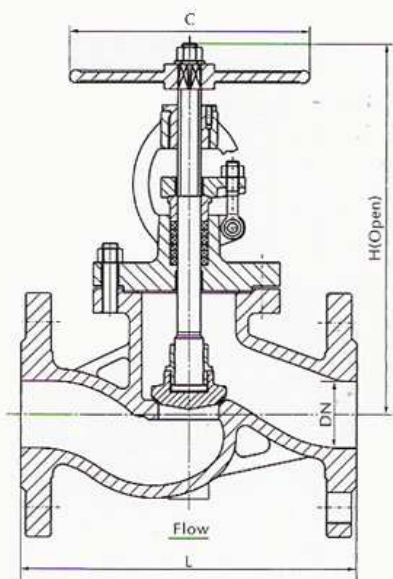
Pressure(MPa)		PN1.6MPa															
Size	mm	15	20	25	32	40	50	65	80	100	125	150	200	250	300	350	400
L		130	150	160	180	200	230	290	310	350	400	480	600	650	750	850	950
H		240	260	276	285	300	305	354	402	437	496	541	699	815	914	1189	1350
C		120	140	160	160	180	200	200	750	250	300	350	400	450	500	550	600
Weight(kg)		5.2	7.1	7.4	8.5	13	20	25	35	50	75	100	210	446	648	805	1050

Pressure(MPa)		PN2.5MPa															
Size	mm	15	20	25	32	40	50	65	80	100	125	150	200	250	300	350	400
L		130	150	160	180	200	230	290	310	350	400	480	600	650	750	850	950
H		240	260	276	285	300	325	363	415	453	505	556	744	864	948	1269	1450
C		120	140	160	160	180	200	200	250	300	350	400	450	500	550	600	600
Weight(kg)		6	7.5	8	9	14	22	27	38	55	82	105	220	450	660	810	1100

Pressure(MPa)		PN4.0MPa															
Size	mm	15	20	25	32	40	50	65	80	100	125	150	200	250	300	350	400
L		130	150	160	180	200	230	290	310	350	400	480	600	650	750	850	950
H		240	260	276	285	300	325	370	430	480	532	589	783	888	965	1285	1512
C		120	140	160	160	180	200	200	250	300	350	400	450	500	550	600	600
Weight(kg)		6	7.5	8	9	15	24	30	41	60	85	110	225	460	670	830	1120

DIN globe valve

PN6.4MPa~16MPa



Pressure(MPa)		PN6.4MPa											
Size	mm	40	50	65	80	100	125	150	200	250	300	350	400
L		260	300	340	380	430	500	550	650	775	900	1025	1150
H		300	305	354	402	437	496	541	699	815	914	1189	1350
C		180	200	200	750	250	300	350	400	450	500	550	600
Weight(kg)		17	26	33	45	65	90	120	230	470	680	850	1130

Pressure(MPa)		PN10.0MPa											
Size	mm	40	50	65	80	100	125	150	200	250	300	350	400
L		260	300	340	380	450	500	550	650	775	900	1025	1150
H		300	325	363	415	453	505	556	744	864	948	1269	1450
C		180	200	200	250	300	350	400	450	500	550	600	600
Weight(kg)		19	27	34	46	67	95	125	235	480	690	860	1150

Pressure(MPa)		PN16.0MPa											
Size	mm	40	50	65	80	100	125	150	200	250	300	350	400
L		260	300	340	380	450	500	550	650	775	900	1025	1150
H		300	325	370	430	480	532	589	783	888	965	1285	1512
C		180	200	200	250	300	350	400	450	500	550	600	600
Weight(kg)		20	28	35	49	70	100	130	245	490	710	890	1190

DIN ball valve

Product structural features

Ball valve seal acc. to DIN is applicable to the cutting and connection of pipelines medium that are used in various industries such as petroleum, chemical industry, pharmacy, chemical fertilizer, electric power industry etc under nominal pressure of PN1.6~10MPa and working temperature within -196~150°C

Main structural features

1. The product has indication of open-close and locking system;
2. The stem has function of anti blow out, anti fire-safe and anti-static function;
3. The part material flange, and butting weld end dimension may be selected according to current operation condition and user's requirement, so that meeting the requirement of various engineering.

Technical specification

Structural Formation	BB-BG-OS & Y
Driving Manner	Hand-Operated
Driving Manner	Electric-Actuated
Design Standard	DIN3356
Face to Face	DIN3202
Flange Ends	DIN2543-2551
Test & Inspection	DIN3230

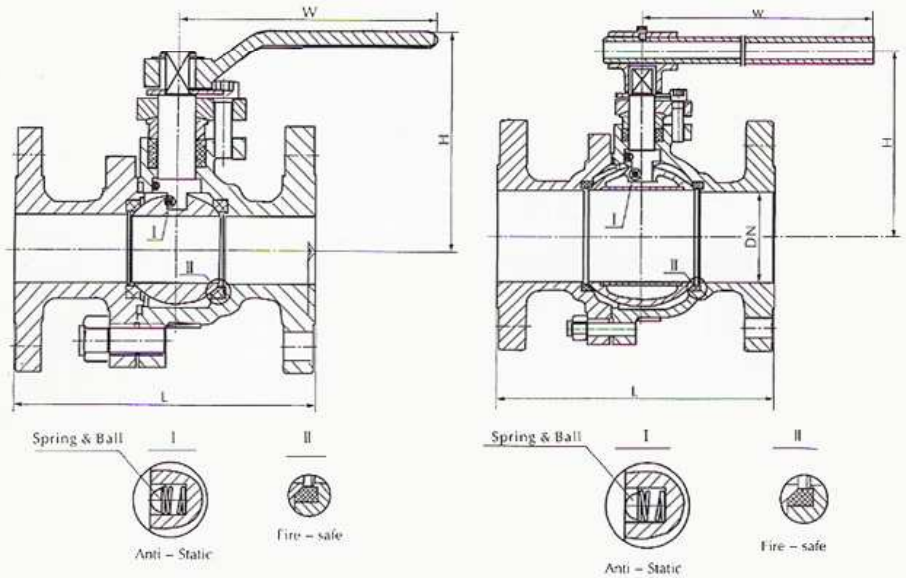
Notes: The size of serial, valve connecting flange can be design according to customers' requirement

Products performance specification

Nominal Pressure (MPa)	Shell Test(MPa)	Sealing Test (MPa)	Suitable Temp(°C)	Suitable Medium
1.6	2.4	1.76	-196~150°C	Water Oil & Gas
2.5	3.75	2.75		
4.0	6.0	4.4		
6.4	9.6	7.04		
10.0	1.5	11		

DIN ball valve

PN16MPa~40MPa

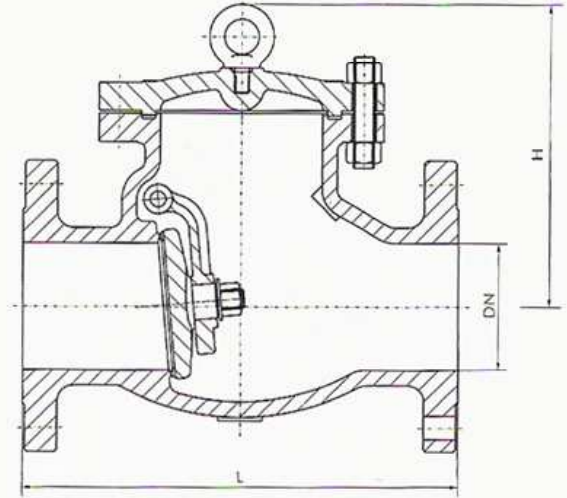


Pressure(MPa)	PN 16											
DN	15	20	25	32	40	50	65	80	100	125	150	200
L	130	140	150	165	180	200	220	250	280	320	360	400
H	78	84	95	150	150	190	195	215	250	285	330	370
H1	140	160	180	250	300	350	350	400	600	600	800	1000
Wt(Kg)	3	4	5	10	14	20	25	30	40	65	73	85

Pressure(MPa)	PN 25											
DN	15	20	25	32	40	50	65	80	100	125	150	200
L	130	140	150	165	180	200	220	250	280	320	360	400
H	78	84	95	150	150	190	195	215	250	285	330	370
H1	140	160	180	250	300	350	350	400	600	600	800	1000
Wt(Kg)	3	4	5	10	14	20	25	30	40	65	73	85

Pressure(MPa)	PN 40											
DN	15	20	25	32	40	50	65	80	100	125	150	200
L	130	140	150	165	180	200	220	250	280	403	403	502
H	82	100	104	150	150	190	195	215	250	260	275	335
H1	140	160	180	250	300	350	350	400	600	600	800	800
Wt(Kg)	3	4	5	10	14	20	25	50	70	80	85	101

DIN check valve



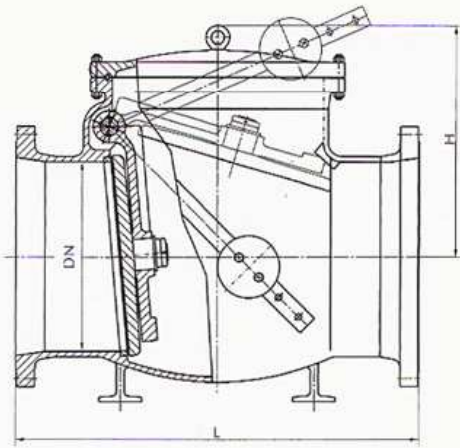
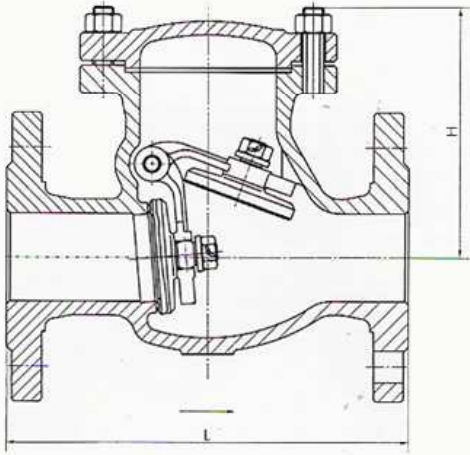
Main parts material and property

Body	GS-C25								1.4308		
Cover	GS-C25			1.4308		1.4408		Monel	1.4308		
Disc Sealing Face	13Cr	13Cr	STL	1.4308	STL	1.4408	STL	Monel	1.4308	1.4308	STL
Seat Ring Sealing Face	13Cr	STL	STL	1.4308	STL	1.4408	STL	Monel	1.4308	STL	STL

Body	1.4408			1.4306			1.4301		
Cover	1.4408			1.4306			1.4301		
Disc Sealing Face	1.4408	1.4408	STL	1.4306	1.4306	STL	1.4301	1.4301	STL
Seat Ring Sealing Face	1.4408	STL	STL	1.4306	STL	STL	1.4301	STL	STL

DIN swing check valve

PN1.6MPa~4.0MPa



Face to Face: PN16/25/40 DN ≤ 150 According to F1
DN ≥ 200 According to F7

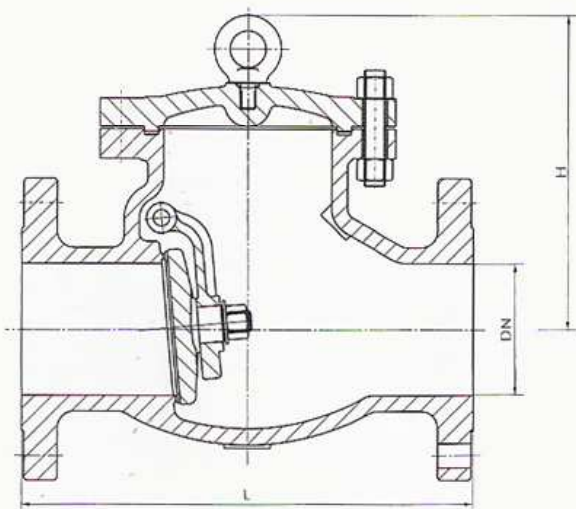
Pressure(MPa)		PN1.6MPa										
Size	mm	50	65	80	100	125	150	200	250	300	350	400
L		230	290	310	350	400	480	550	650	750	850	950
H		305	354	402	437	496	541	699	815	914	1189	1350
Weight(kg)		21	28	38	58	92	130	210	295	365	410	460

Pressure(MPa)		PN2.5MPa										
Size	mm	50	65	80	100	125	150	200	250	300	350	400
L		230	290	310	350	400	480	550	650	750	850	950
H		325	363	415	453	505	556	744	864	948	1269	1450
Weight(kg)		22	29	38	61	96	132	213	297	375	415	480

Pressure(MPa)		PN4.0MPa										
Size	mm	50	65	80	100	125	150	200	250	300	350	400
L		230	290	310	350	400	480	550	650	750	850	950
H		325	370	430	480	532	589	783	888	965	1285	1512
Weight(kg)		22	31	41.5	65	100	136	220	305	400	450	510

DIN swing check valve

PN6.4MPa~16MPa



Face to Face: PN64/100/160 According to F2

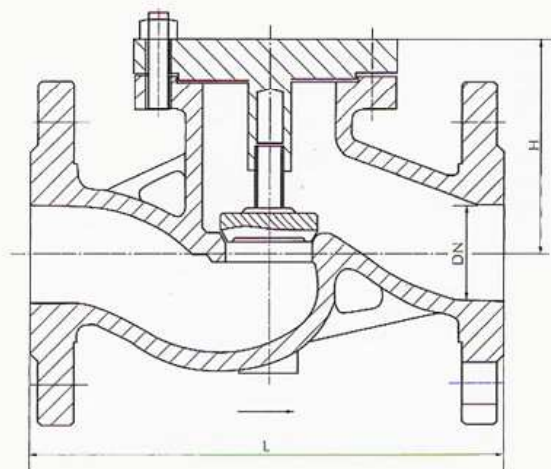
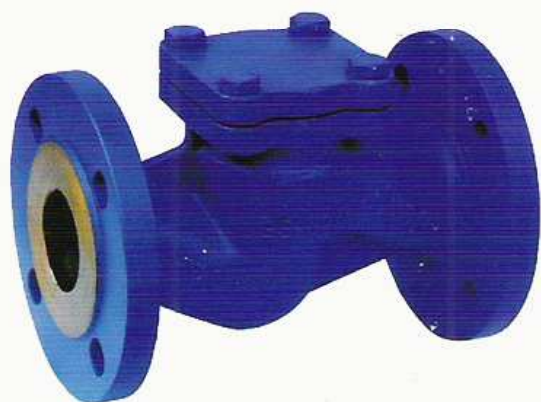
Pressure(MPa)		PN6.4MPa										
Size	mm	50	65	80	100	125	150	200	250	300	350	400
L		300	340	380	430	500	550	650	775	900	1025	1150
H		305	354	402	437	496	541	699	815	914	1189	1350
Weight(kg)		27	37	57	87	135	184	266	396	643	815	1230

Pressure(MPa)		PN10.0MPa										
Size	mm	50	65	80	100	125	150	200	250	300	350	400
L		300	340	380	430	500	550	650	775	900	1025	1150
H		325	363	415	453	505	556	744	864	948	1269	1450
Weight(kg)		30	40	60	92	140	195	280	406	670	850	1260

Pressure(MPa)		PN16.0MPa										
Size	mm	50	65	80	100	125	150	200	250	300	350	400
L		300	340	380	430	500	550	650	775	900	1025	1150
H		325	370	430	480	532	589	783	888	965	1285	1512
Weight(kg)		32	42	63	95	145	200	289	415	685	880	1300

DIN lift check valve

PN1.6MPa~4.0MPa



Face to Face: PN16/25/40 DN ≤ 200 According to F1
DN ≥ 250 According to F7

Pressure(MPa)		PN1.6MPa										
Size	mm	50	65	80	100	125	150	200	250	300	350	400
L		230	290	310	350	400	480	600	650	750	850	950
H		305	354	402	437	496	541	699	815	914	1189	1350
Weight(kg)		10	20	30	39	50	70	161	251	395	500	618

Pressure(MPa)		PN2.5MPa										
Size	mm	50	65	80	100	125	150	200	250	300	350	400
L		230	290	310	350	400	480	600	650	750	850	950
H		325	363	415	453	505	556	744	864	948	1269	1450
Weight(kg)		12	22	33	44	55	78	180	270	410	520	650

Pressure(MPa)		PN4.0MPa										
Size	mm	50	65	80	100	125	150	200	250	300	350	400
L		230	290	310	350	400	480	600	650	750	850	950
H		325	370	430	480	532	589	783	888	965	1285	1512
Weight(kg)		13	23	34	46	60	85	190	280	430	550	680